

SKYLINE/MAGISTAR ELECTRIC OVEN FORNO ELETTRICO SKYLINE/MAGISTAR

Type Reference	Ref	Page	Description	note
COE21C20	a		20 grids GN 1/1 - touch convect - double glass - Standard	
COE21C2K	b		20 grids GN 1/1 - touch convect - double glass - Smok-er/Aromatizer	
COE21C30	c		20 grids GN 1/1 - touch convect - triple glass - Standard	
COE21D20	d		20 grids GN 1/1 - digital steam - double glass - Standard	
COE21T20	e		20 grids GN 1/1 - touch steam - double glass - Standard	
COE21T2K	f		20 grids GN 1/1 - touch steam - double glass - Smoker/Aromatizer	
COE21T30	g		20 grids GN 1/1 - touch steam - triple glass - Standard	
COE21V20	h		20 grids GN 1/1 - digital convect - double glass - Standard	
COE22C20	i		20 grids GN 2/1 - touch convect - double glass - Standard	
COE22C2K	j		20 grids GN 2/1 - touch convect - double glass - Smok-er/Aromatizer	
COE22C30	k		20 grids GN 2/1 - touch convect - triple glass - Standard	
COE22D20	l		20 grids GN 2/1 - digital steam - double glass - Standard	
COE22T20	m		20 grids GN 2/1 - touch steam - double glass - Standard	
COE22T2K	n		20 grids GN 2/1 - touch steam - double glass - Smoker/Aromatizer	
COE22T30	o		20 grids GN 2/1 - touch steam - triple glass - Standard	
COE22V20	p		20 grids GN 2/1 - digital convect - double glass - Standard	

Index

Description Type Reference/Descrizione Type Reference	Page
Oven cabinet and door/Cella forno e porta	2
Electrical components/Componenti elettrici	3
Water system/Impianto idraulico	4
Boiler	5
Accessories/Accessori	6
Preventive Maintenance KIT	7
Spare parts list / Lista ricambi	8
Maintenance Kit list / Lista KIT di manutenzione	9-20
Bold=last change / Grassetto =ultima modifica	21

V = Vital spare part/Ricambio vitale
W&T = Wear&Tear and Consumable/
Ricambio usurabile e consumabile
S = Suggested/Ricambio suggerito

Rev. 7

From Ser. Nr.... Up to Ser. Nr....	Ed. 2019-11 Updated 2023-06	Page: 1	Doc No:595403S00
---------------------------------------	--------------------------------	---------	-------------------------

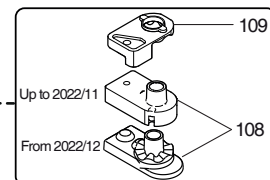
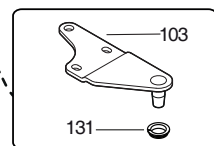
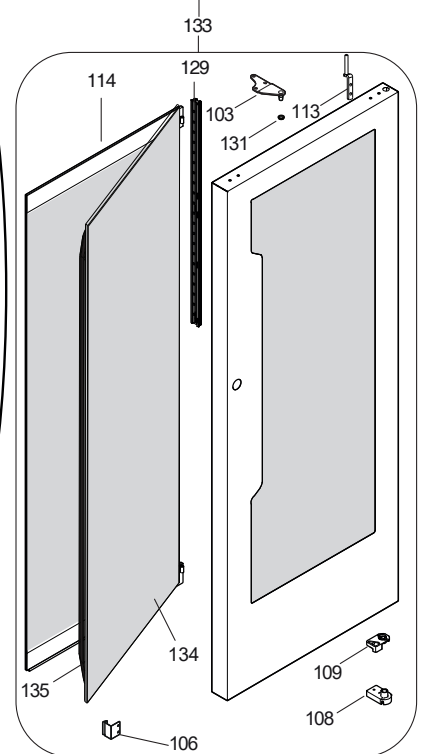
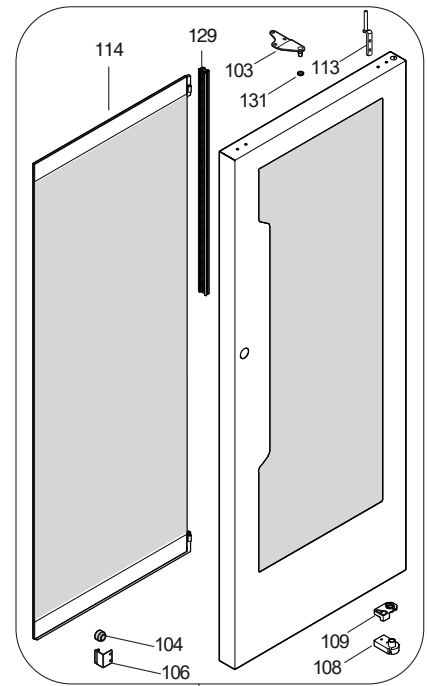
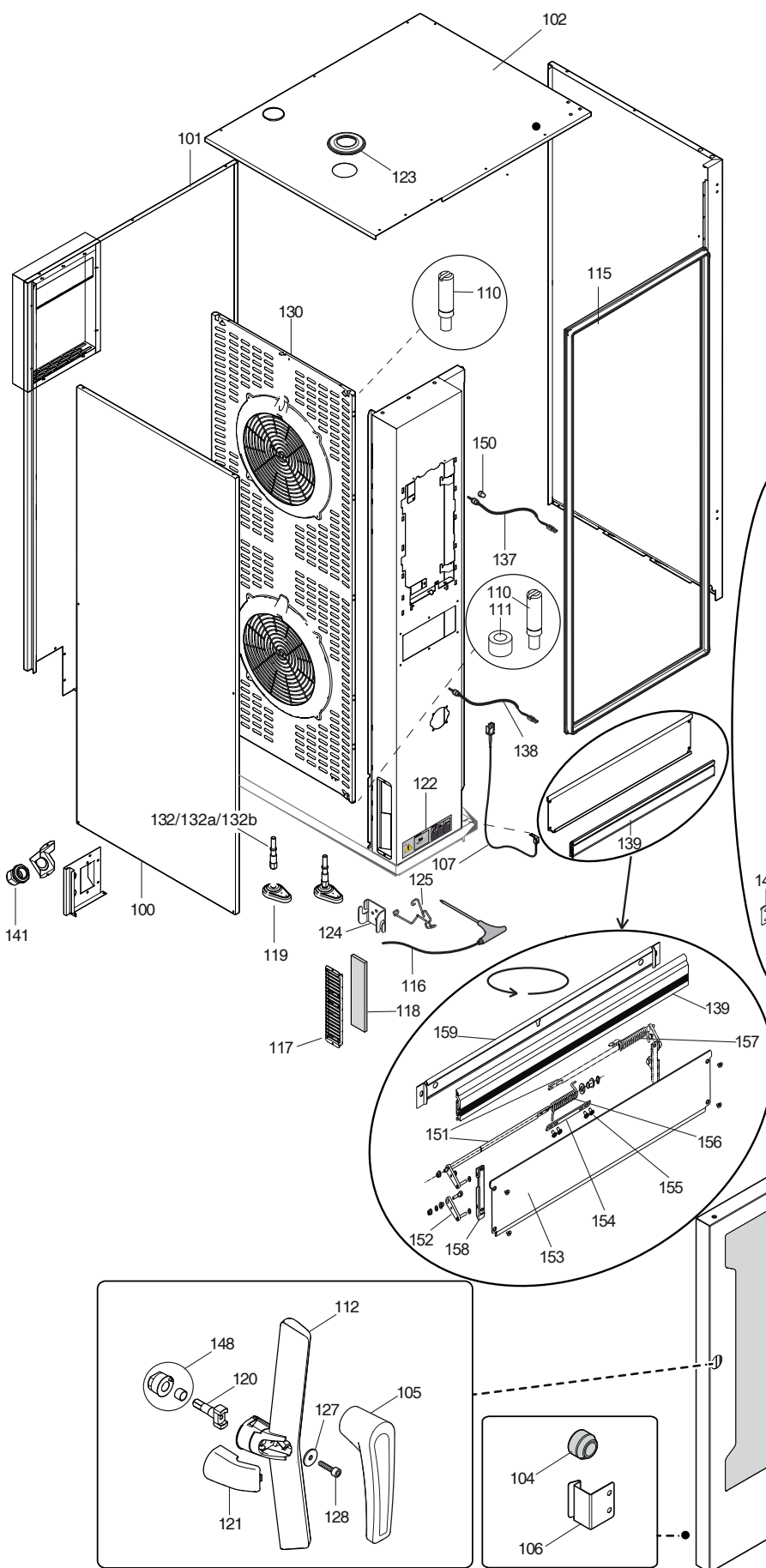
COE * * *

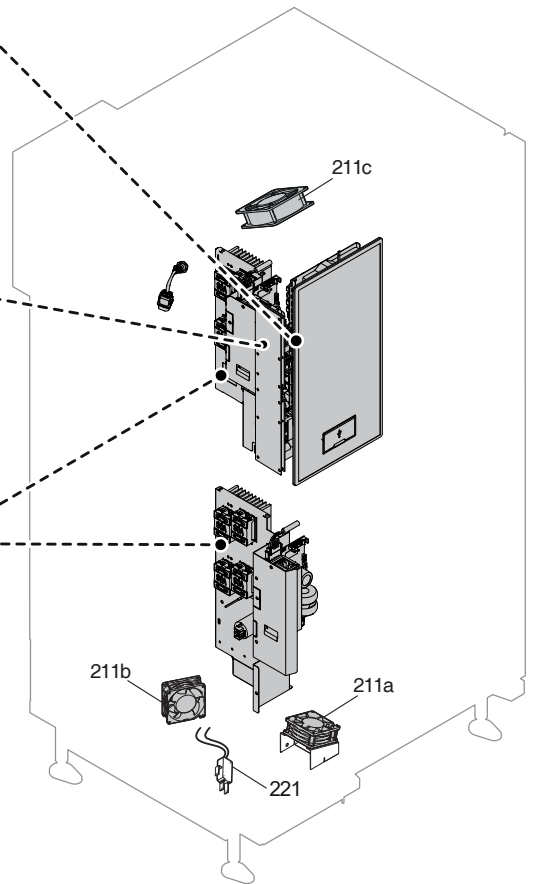
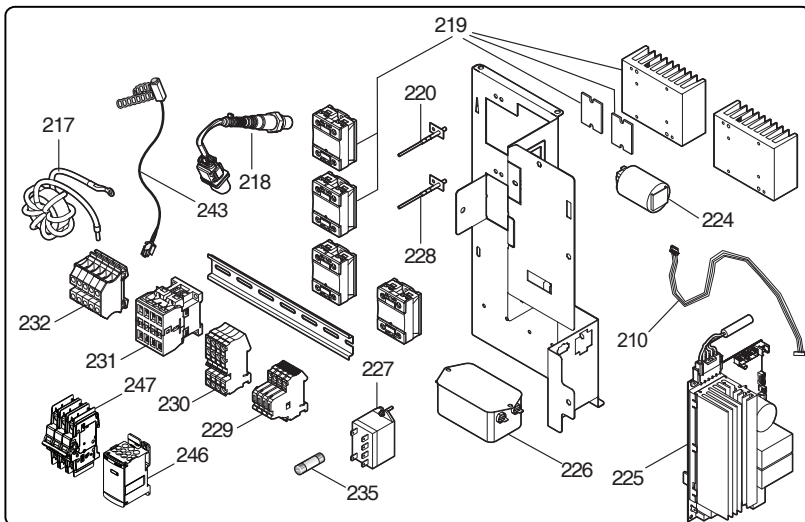
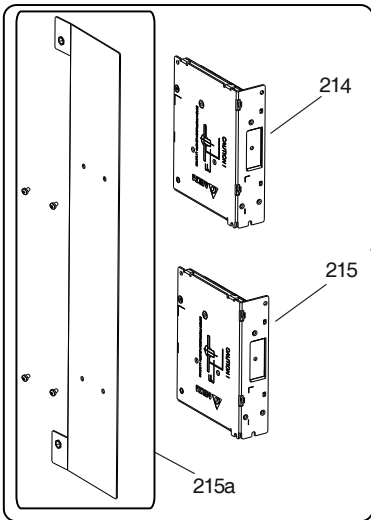
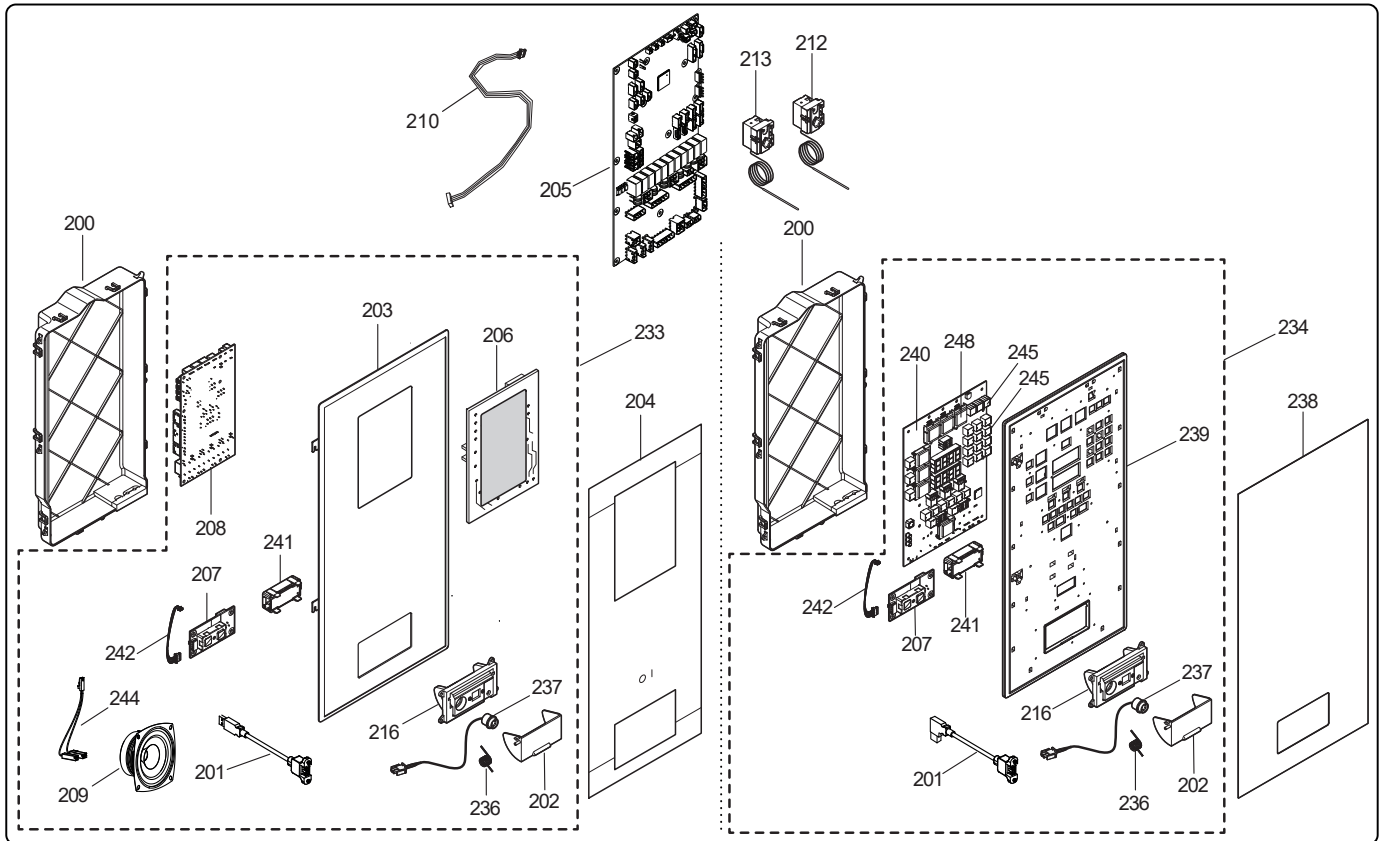
K = Smoker/Aromatizer
0 = Standard

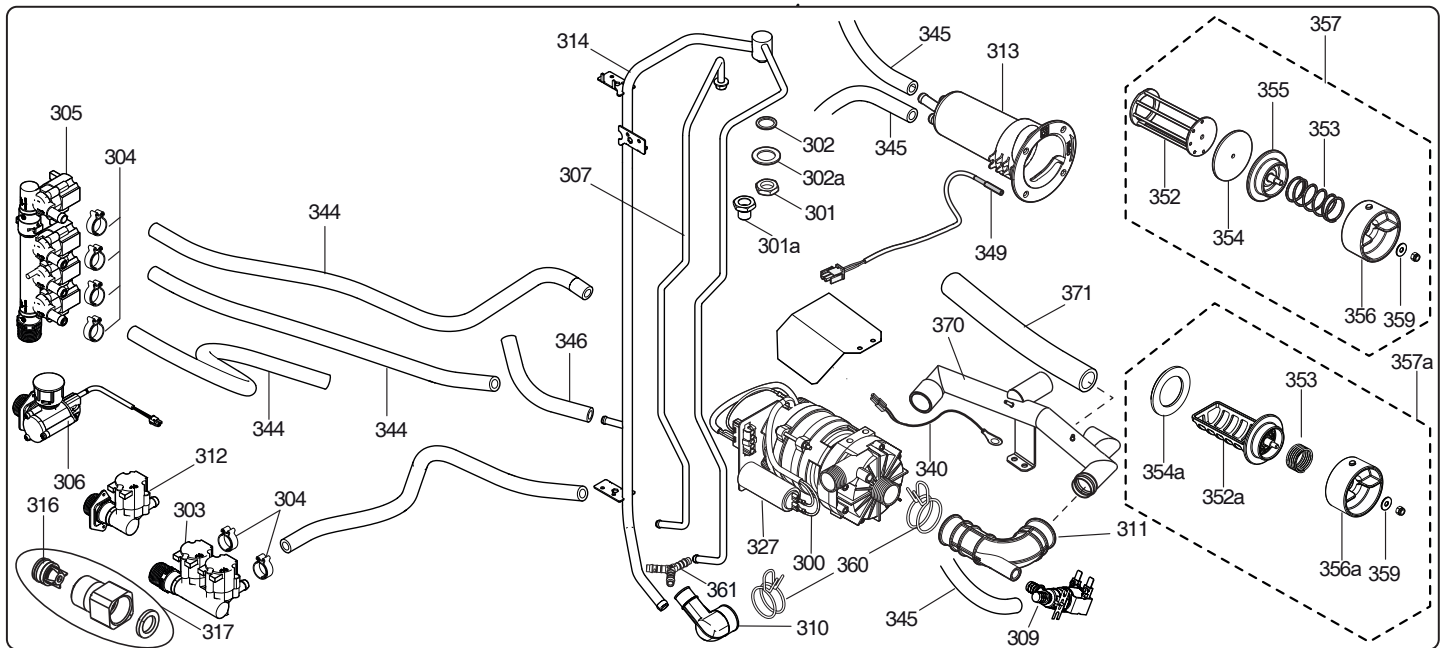
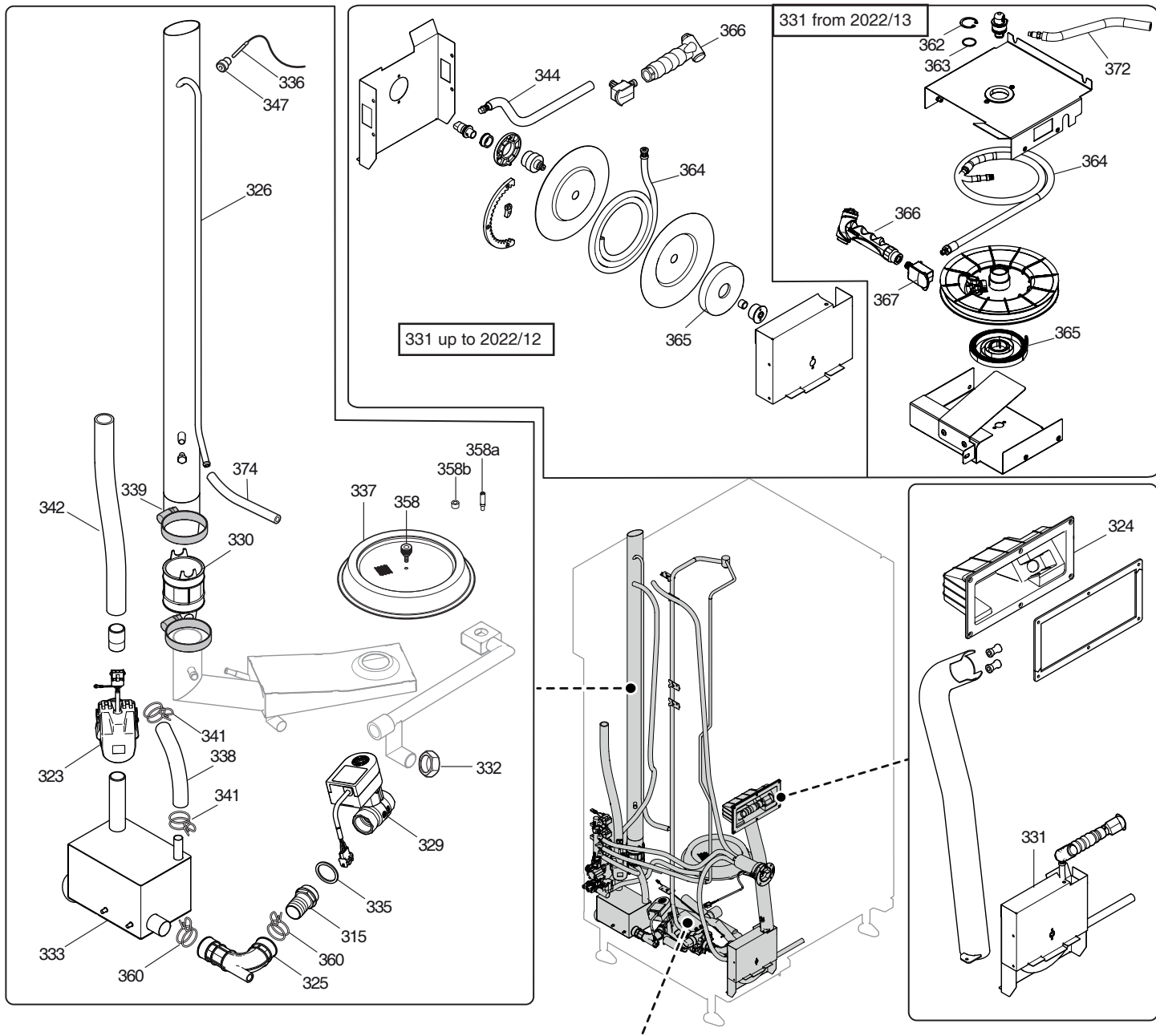
T2 = touch steam - double glass
T3 = touch steam - triple glass
C2 = touch convect – double glass
C3 = touch convect – triple glass
D2 = digital steam – double glass
D3 = digital steam – triple glass
V2 = digital convect – double glass
V3 = digital convect – triple glass

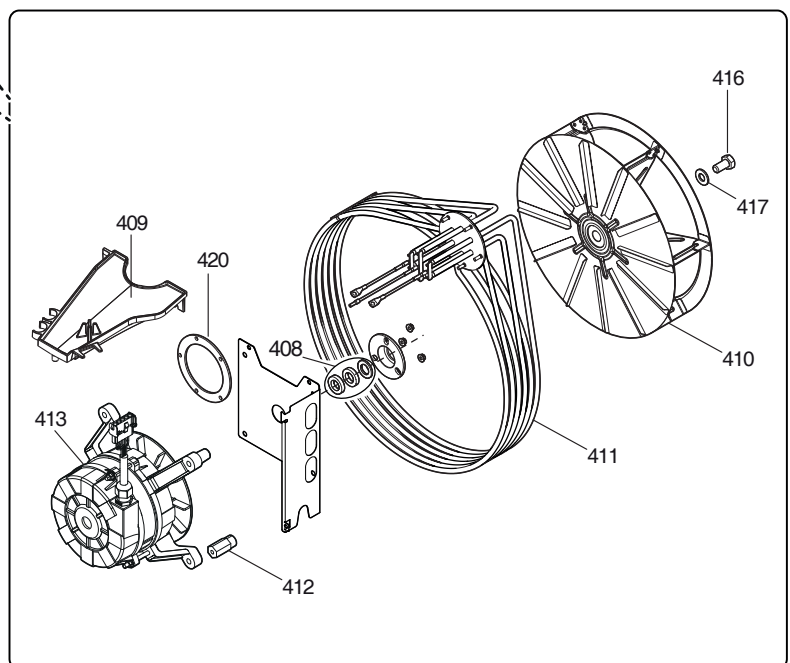
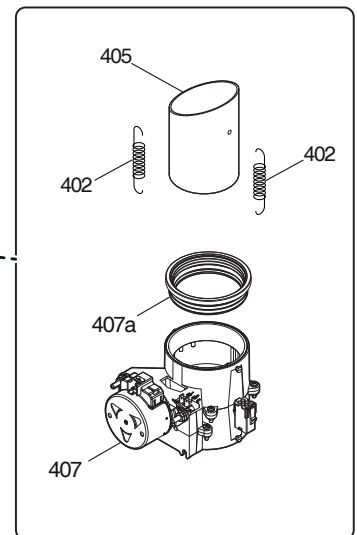
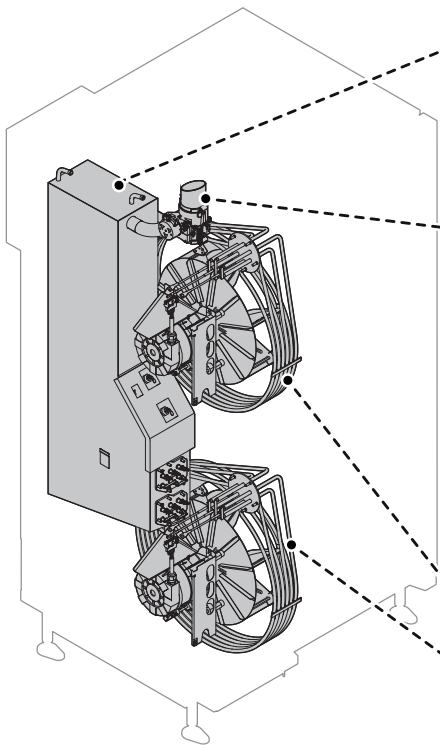
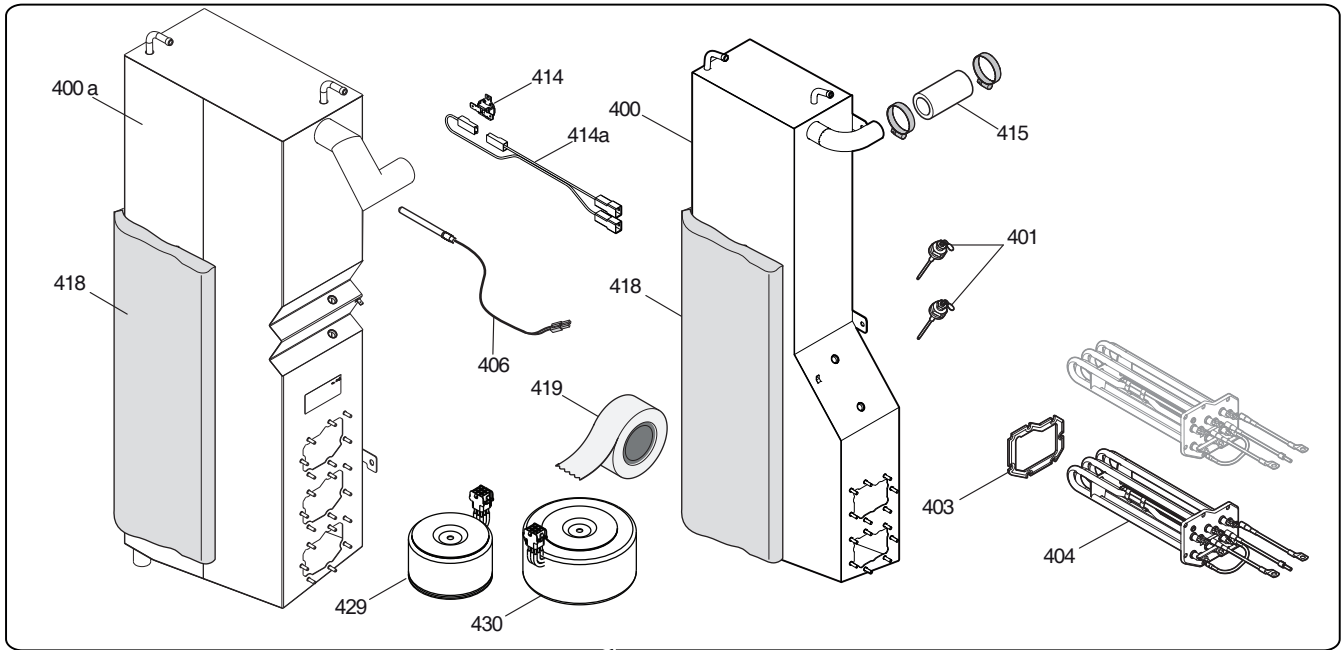
61 = 6 grids GN1/1
62 = 6 grids GN2/1
11 = 10 grids GN1/1
12 = 10 grids GN2/1
21 = 20 grids GN1/1
22 = 20 grids G21/1

COE = Combi Oven Electric

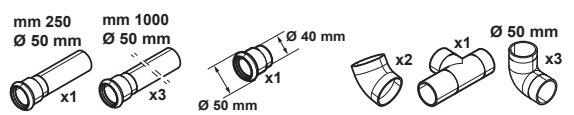




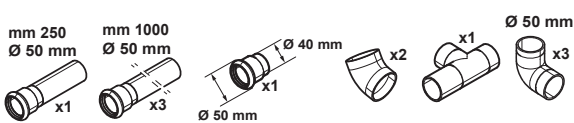


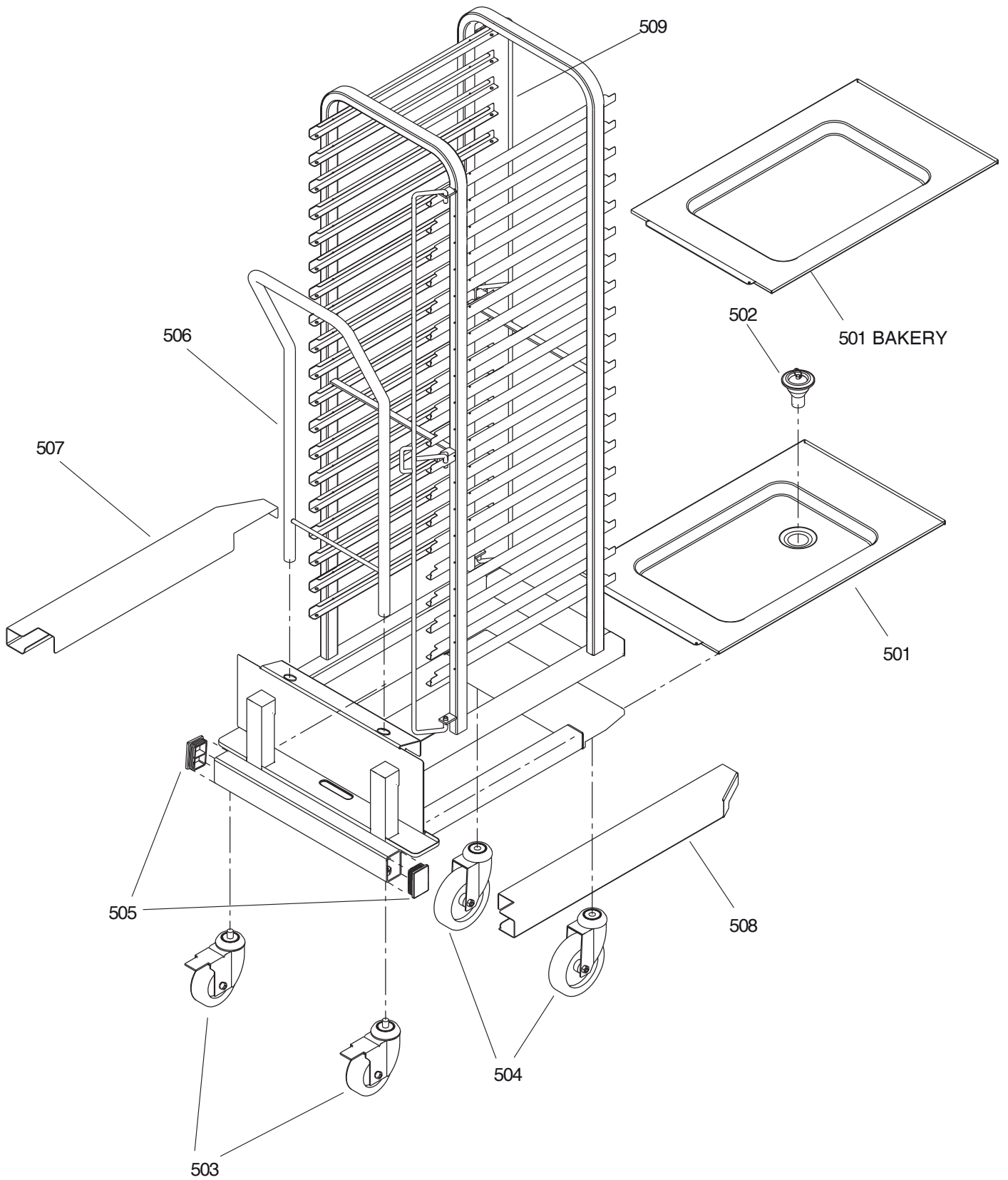


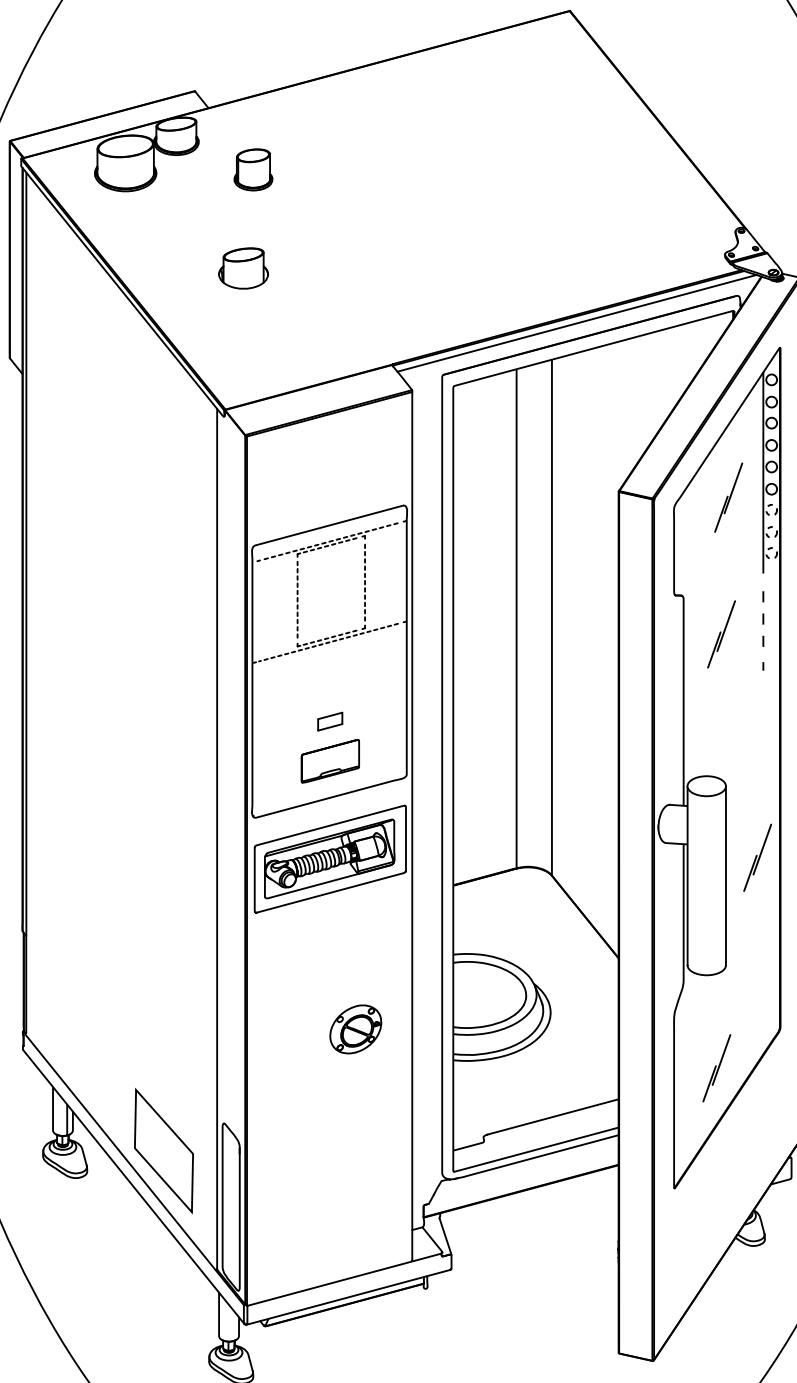
422 PLASTIC PIPES



421 STEEL PIPES







- PPM1
- PPM2
- PPM3
- PPM4
- PPM5
- PPM6
- PPM7
- PPM8
- PPM9
- PPM10

SKYLINE

Pos	Spare part Code	Factory code	Descrizione	Description	V	W & T	S	Ref./Notes
100	0CK492	503407X02	FIANCO SINISTRO 20 1/1	LEFT PANEL 20 1/1				a; b; c; d; e; f; g; h Up to 2022/12
100	0CK88K	50340C600	FIANCO SINISTRO 20 1/1	LEFT PANEL 20 1/1				a; b; c; d; e; f; g; h From 2022/13
100		503409201	FIANCO SINISTRO 20 2/1	LEFT PANEL 20 2/1				i; j; k; l; m; n; o; p Up to 2022/12
100	0CK88N	50340CB00	FIANCO SINISTRO 20 2/1	LEFT PANEL 20 2/1				i; j; k; l; m; n; o; p From 2022/13
101	0CK633	503408003	SCHIENALE FORNO 20 1/1	BACK PANEL 20 1/1				a; b; c; d; e; f; g; h Up to 2022/12
101	0CK88I	50340C200	SCHIENALE FORNO 20 1/1	BACK PANEL 20 1/1				a; b; c; d; e; f; g; h From 2022/13
101	0CK711	503409503	SCHIENALE FORNO 20 2/1	BACK PANEL 20 2/1				i; j; k; l; m; n; o; p Up to 2022/12
101	0CK88L	50340C900	SCHIENALE FORNO 20 2/1	BACK PANEL 20 2/1				i; j; k; l; m; n; o; p From 2022/13
101	0CK712	50340BT00	SCHIENALE FORNO 20 1/1	BACK PANEL 20 1/1				a; b; c; d; e; f; g; h MARINE Up to 2022/12
101	0CK88J	50340C300	SCHIENALE FORNO 20 1/1	BACK PANEL 20 1/1				a; b; c; d; e; f; g; h MARINE From 2022/13
101	0CK713	50340BU00	SCHIENALE FORNO 20 2/1	BACK PANEL 20 2/1				i; j; k; l; m; n; o; p MARINE Up to 2022/12
101	0CK88M	50340CA00	SCHIENALE FORNO 20 2/1	BACK PANEL 20 2/1				i; j; k; l; m; n; o; p MARINE From 2022/13
102	0CK515	503407U02	COPERCHIO FORNO 20 1/1	TOP PANEL 20 1/1				a; b; c; d; e; f; g; h Up to 2022/12
102	0CK88F	50340BY00	COPERCHIO FORNO 20 1/1	TOP PANEL 20 1/1				a; b; c; d; e; f; g; h From 2022/13
102		503409H02	COPERCHIO FORNO 20 2/1	TOP PANEL 20 2/1				i; j; k; l; m; n; o; p Up to 2022/12
102	0CK88O	50340CD00	COPERCHIO FORNO 20 2/1	TOP PANEL 20 2/1				i; j; k; l; m; n; o; p From 2022/13
103	0C4234	806847803	CERNIERA SUPERIORE	UPPER HINGE	X	X		
104	0CK071	543401S03	AMMORTIZZATORE VETRO INTER-NO	INNER GLASS DUMPER		X		a; b; d; e; f; h; i; j; l; m; n; p
105	0CK319	830409802	MANIGLIA PORTA	DOOR HANDLE	X			
106	0CK148	50440CX02	MOLLA FERMAVETRO	INNER GLASS STOPPER		X		
107	0CK384	654400500	SENSORE REED PORTA	DOOR REED SENSOR				L = 1100 mm
108	0CK557	835405A03	CERNIERA INFERIORE PORTA	LOWER HINGE	X	X		RIGHT HINGED Up to 2022/12
108	0CK88D	511401200	CERNIERA INFERIORE PORTA	LOWER HINGE	X	X		RIGHT HINGED From 2022/13
109	0CK519	511400Y00	POSIZIONATORE INFERIORE	DOOR POSITIONER		X		RIGHT HINGED

SKYLINE							
Pos	Spare part Code	Factory code	Descrizione	Description	V	W & T	S Ref./Notes
110	0CK671	051440A901	PERNO PARETE ASPIRAZIONE E SUPPORTO TEGLIE	SUCTION WALL PIN			
111	0CK672	0514404V03	BOCCOLA INF. PARETE ASPIRAZIONE	SUCTION WALL LOWER BUSH			
112	0CK297	548401U02	MANIGLIA PORTA	DOOR HANDLE	X		EPR Up to 2021/16
112	0CK666	548401U03	MANIGLIA PORTA	DOOR HANDLE	X		EPR From 2021/17
113	0CK691	0800401B02	CERNIERA X VETRO INTERNO PORTE	DOOR INNER GLASS HINGE			
114	0CK505	879403902	ASSIEME VETRO INTERNO 20 1/1	INNER GLASS ASSEMBLY 20 1/1	X	X	a; b; c; d; e; f; g; h
114	0CK556	879403A02	ASSIEME VETRO INTERNO 20 2/1	INNER GLASS ASSEMBLY 20 2/1	X	X	i; j; k; l; m; n; o; p
115	0CK497	543401Z01	GUARNIZIONE CELLA-PORTA 20 1/1	DOOR GASKET 20 1/1	X	X	a; b; c; d; e; f; g; h
115	0CK548	543402001	GUARNIZIONE CELLA-PORTA 20 2/1	DOOR GASKET 20 2/1	X	X	i; j; k; l; m; n; o; p
116	0CK275	83040CZ01	SPILLONE MULTIPUNTO (6 PUNTI)	FOOD PRB MULTIPOINT(6 POINTS)		X	e; f; g; m; n; o Up to 2020/11
116	0CK601	83040P302	SPILLONE MULTIPUNTO (6 PUNTI)	FOOD PRB MULTIPOINT(6 POINTS)		X	e; f; g; m; n; o From 2020/12
116	0CK86J	83040D001	SPILLONE SINGOLO PUNTO	FOOD PROBE SINGLE POINT		X	a; b; c; d; h; i; j; k; l; p Up to 2020/11
116	0CK602	83040P202	SPILLONE SINGOLO PUNTO	FOOD PROBE SINGLE POINT		X	a; b; c; d; h; i; j; k; l; p From 2020/12
117	0CK493	500407Q01	SUPPORTO FILTRO	FILTER SUPPORT			
118	0CK494	549401901	FILTRO ARIA	AIR FILTER		X	
119	0CK496	549401600	PIEDE	FOOT			
119	0CBAWS	80540HX00	PIEDE	FOOT			Marine
120	0CK86C	514406B02	PERNO ADATTATORE MANIGLIA	HANDLE PIN ADAPTOR			
121	0CK331	548402700	COPERCHIETTO MANIGLIA EPR	EPR HANDLE COVER		X	EPR Up to 2021/16
121	0CK667	548402701	COPERCHIETTO MANIGLIA EPR	EPR HANDLE COVER		X	EPR From 2021/17
122	0CK649	0598404V01	ETICHETTA GPSAC	GPSAC LABEL			d; h; l; p
123	0CK114	543402500	GUARNIZIONE ASPIRAZIONE ARIA	AIR INLET GASKET		X	
124	0CK86H	506407C00	SUPPORTO SPILLONE	FOOD PROBE SUPPORT			Up to 2020/11
125	0CK86I	51440AC00	MOLLETTA AGGANCIAMENTO SPILLONE	FOOD PROBE SPRING			From 2020/12
127	0E1331	206004105	ROSETTA	WASHER		X	
128	0C3973	214014255	VITE M6X25	SCREW M6X25		X	
129	0CK082	805407P01	BARRA LED	LED BAR		X	
130	0CK500	878403W05	PARETE DI ASPIRAZIONE 20 1/1	SUCTION WALL 20 1/1			a; b; c; d; e; f; g; h Up to 2021/16
130	0CK737	878403W06	PARETE DI ASPIRAZIONE 20 1/1	SUCTION WALL 20 1/1			a; b; c; d; e; f; g; h From 2021/17
130	0CK603	878409Q00	PARETE DI ASPIRAZIONE 20 1/1	SUCTION WALL 20 1/1			a; b; c; d; e; f; g; h BAKERY Up to 2021/16
130	0CK746	878409Q01	PARETE DI ASPIRAZIONE 20 1/1	SUCTION WALL 20 1/1			a; b; c; d; e; f; g; h BAKERY From 2021/17
130	0CK608	878403X03	PARETE DI ASPIRAZIONE 20 2/1	SUCTION WALL 20 2/1			i; j; k; l; m; n; o; p Up to 2021/16

SKYLINE								
Pos	Spare part Code	Factory code	Descrizione	Description	V	W & T	S	Ref./Notes
130	0CK9AV	878403X05	PARETE DI ASPIRAZIONE 20 2/1	SUCTION WALL 20 2/1				i; j; k; l; m; n; o; p From 2021/17
131	0CK523	547400A00	BOCCOLA IGUS 'IGLIDUR	BUSH IGUS 'IGLIDUR		X		
132	0CK495	514406Y01	STELO FILETTATO	THREADED STEM				Up to 2022/12
132	0CK88E	050040D800	STELO FILETTATO	THREADED STEM				From 2022/13
132a	0CK9AL	544403R00	SEMIGUSCIO DX SUPPORTO PIEDINO	RIGHT HALF-SHELL FOOT SUPPORT				From 2022/13
132b	0CK9AM	544403T00	SEMIGUSCIO SX SUPPORTO PIEDINO	LEFT HALF-SHELL FOOT SUPPORT				From 2022/13
133	0CK675	83040Q103	ASS. PORTA 2 VETRI 20 1/1	DOOR ASSY 2 GLASSES 20 1/1				a; b; d; e; f; h - EPR
133	0CK677	83040Q304	ASS. PORTA 2 VETRI 20 2/1	DOOR ASSY 2 GLASSES 20 2/1				i; j; l; m; n; p - EPR
133	0CK453	83040NA01	ASS. PORTA 2 VETRI 20 1/1	DOOR ASSY 2 GLASSES 20 1/1				a; b; d; e; f; h - ZAN
133	0CK9AW	83040S200	ASS. PORTA 2 VETRI 20 2/1	DOOR ASSY 2 GLASSES 20 2/1				i; j; l; m; n; p - ZAN
133	0CK465	83040NP01	ASS. PORTA 2 VETRI 20 1/1	DOOR ASSY 2 GLASSES 20 1/1				a; b; d; e; f; h - TO BRAND
133	0CK9AX	83040S300	ASS. PORTA 2 VETRI 20 2/1	DOOR ASSY 2 GLASSES 20 2/1				i; j; l; m; n; p - TO BRAND
133	0CK676	83040Q203	ASS. PORTA 3 VETRI 20 1/1	DOOR ASSY 3 GLASSES 20 1/1				c; g - EPR;
133	0CK678	83040Q403	ASS. PORTA 3 VETRI 20 2/1	DOOR ASSY 3 GLASSES 20 2/1				k; o - EPR;
133	0CK454	83040NB01	ASS. PORTA 3 VETRI 20 1/1	DOOR ASSY 3 GLASSES 20 1/1				c; g - ZAN
133	0CK456	83040ND01	ASS. PORTA 3 VETRI 20 2/1	DOOR ASSY 3 GLASSES 20 2/1				k; o - ZAN
133	0CK466	83040NQ01	ASS. PORTA 3 VETRI 20 1/1	DOOR ASSY 3 GLASSES 20 1/1				c; g - TO BRAND
133	0CK468	83040NS01	ASS. PORTA 3 VETRI 20 2/1	DOOR ASSY 3 GLASSES 20 2/1				k; o - TO BRAND
134	0CK560	855408L00	ASS. VETRO INTERMEDIO 20 1/1	MIDDLE GLASS ASS.Y 20 1/1				c; g
134	0CK561	855408K00	ASS. VETRO INTERMEDIO 20 2/1	MIDDLE GLASS ASS.Y 20 2/1				k; o
135	0CK562	543403J00	ASS. GUARN. VETRO INTERMEDIO 20 1/1	MIDDLE GLASS GASKET ASS.Y 20 1/1				c; g
135	0CK563	543403K00	ASS. GUARN. VETRO INTERMEDIO 20 2/1	MIDDLE GLASS GASKET ASS.Y 20 2/1				k; o
136	0CK525	879403X03	MECCANISMO DI CHIUSURA PORTA	DOOR LATCH				
137	0CK269	083040BX00	SONDA CELLA	CAVITY PROBE				Up to 2022/12
137	0CK878	083040QB00	SONDA CELLA	CAVITY PROBE				From 2022/13
*	0CK857		KIT SENSORE TEMPERATURA	TEMPERATURE SENSOR KIT				
138	0CK498	083040C100	SENSORE T.C. TEMP. CELLA INF.	LOWER CELL T.C. SENSOR				Up to 2022/12
138	0CK88R	083040QC00	SENSORE T.C. TEMP. CELLA INF.	LOWER CELL T.C. SENSOR				From 2022/13
139	0CK614	543403R02	GUARNIZIONE	GASKET				a; b; c; d; e; f; g; h
139	0CK615	543403S02	GUARNIZIONE	GASKET				i; j; k; l; m; n; o; p
141	0C3528	544802400	PRESSACAVO	CABLE GLAND				
142	0C4122	538807400	DISTANZIALE 20/10	SPACER 20/10				
143	0C3802	538804900	NASELLO CHIUSURA PORTA	CATCH DOOR CLOSING				
144	003822	853821600	MECCANISMO DI ESTREMITA'	HOOK				
145	0CK521	515409A00	ASTA SUPERIORE	SUP. LEVER DOOR LOCK MEC.				
146	0H6043	214593100	SPINA ELASTICA	ELASTIC PIN				
147	003824	853821500	CORPO CHIUSURA	CORE DOOR LOCK				
148	0CK524	80540A100	BOCCOLA	MECHANISM BUSH				
149	0CK520	515405V01	ASTA INFERIORE	INF. LEVER DOOR LOCK MEC.				
150	0CK083	0514404Y01	BICONO TENUTA TERMOCOPPIA	THERMOCOUPLE BICONICAL SEALING				Up to 2022/12
151	0TTMIF	80540FK01	ASSIEME LEVA AZIONAMENTO	SIMULATOR DRIVE LEVER ASSEMBLY				
152	0TTMIG	80540DH01	ASSIEME LEVA INFERIORE PIASTRA	LOWER LEVER ASSEMBLY				

SKYLINE							
Pos	Spare part Code	Factory code	Descrizione	Description	V	W & T	S Ref./Notes
153	*	50440CK03	PIASTRA DI TENUTA	PLATE			a; b; c; d; e; f; g; h
153	*	50440CN01	PIASTRA DI TENUTA	PLATE			i; j; k; l; m; n; o; p Up to 2021/42
153	*	50440CN02	PIASTRA DI TENUTA	PLATE			i; j; k; l; m; n; o; p From 2021/43
154	0TTMP7	505408V00	ASTINA DI COLLEGAMENTO	CONNECTION ROD			a; b; c; d; e; f; g; h
154	*	505408W00	ASTINA DI COLLEGAMENTO	CONNECTION ROD			i; j; k; l; m; n; o; p
155	0C8756	217432105	VITE TE M4X10 FLANGIATA DENTELLATA	SCREW M4X10			
156	*	514409T01	MOLLA DITORSIONE SINISTRA	LEFT TORSION SPRING			a; b; c; d; e; f; g; h
156	*	51440A500	MOLLA DITORSIONE SINISTRA	LEFT TORSION SPRING			i; j; k; l; m; n; o; p
157	*	514409U01	MOLLA DI TORSIONE DESTRA	RIGHT TORSION SPRING			a; b; c; d; e; f; g; h
157	*	51440A600	MOLLA DI TORSIONE DESTRA	RIGHT TORSION SPRING			i; j; k; l; m; n; o; p
158	0CK789	514407U00	LATERALE SX PIASTRA SIMULATORE	LEFT SIDE SIMULATOR PLATE			Up to 2021/42
159	0CK88V	505409T00	SUPPORTO GUARNIZIONE CARRELLO-PORTA	GASKET SUPPORT		X	a; b; c; d; e; f; g; h
159	0CK88W	505409U00	SUPPORTO GUARNIZIONE CARRELLO-PORTA	GASKET SUPPORT		X	i; j; k; l; m; n; o; p

SKYLINE								
Pos	Spare part Code	Factory code	Descrizione	Description	V	W & T	S	Ref./Notes
200	0CK161	541401D01	PROTEZIONE SCHEDA USER	USER INTERFACE COVER				
201	0CK037	638404D00	CAVO PROLUNGA USB	USB PROLONG		X		a; b; c; e; f; g; i; j; k; m; n; o
201		638405P00	CAVO PROLUNGA USB	USB PROLONG		X		d; h; l; p
202	0CK041	546400V01	SPORTELLINO USB	USB WINDOW		X		
203	0CK040	543401N01	CRUSCOTTO PLASTICA TOUCH	PLASTIC FRAME TOUCH				a; b; c; e; f; g; i; j; k; m; n; o
204	0CK144	541401F03	MEMBRANA TOUCH EPR CON BOILER (PREMIUM S)	EPR TOUCH MEMBRANE WITH BOILER (PREMIUM S)		X		e; f; g; m; n; o
204	0CK298	541402502	MEMBRANA TOUCH EPR SENZA BOILER (PRO S)	EPR TOUCH MEMBRANE WITHOUT BOILER (PRO S)		X		a; b; c; i; j; k
204	0CK299	541401U04	MEMBRANA TOUCH ZANUSSI CON BOILER (MAGISTAR COMBI TS)	ZANUSSI TOUCH MEMBRANE WITH BOILER (MAGISTAR COMBI TS)		X		e; f; g; m; n; o
204	0CK300	541402704	MEMBRANA TOUCH ZANUSSI SENZA BOILER (MAGISTAR COMBI TI)	ZANUSSI TOUCH MEMBRANE NO BOILER (MAGISTAR COMBI TI)		X		a; b; c; i; j; k
204	0CK332	541401V02	MEMBRANA TOUCH TO BRAND (GRIGIA)	TO BRAND TOUCH MEMBRANE (GREY)		X		a; b; c; e; f; g; i; j; k; m; n; o
204	0TTLG9	541402S01	MEMBRANA TOUCH DIAMOND	DIAMOND TOUCH MEMBRANE		X		a; b; c; e; f; g; i; j; k; m; n; o
204	0CK9AJ	541403F00	MEMBRANA TOUCH ENGEFOOD	ENGEFOOD TOUCH MEMBRANE				a; b; c; e; f; g; i; j; k; m; n; o
205	0CK9AR	675401U05	ACU –SCHEDA POWER	ACU-POWER BOARD	X			a; b; c; e; f; g; i; j; k; m; n; o T.B. PDD2022_10
205	0CK9AR	675401U05	ACU –SCHEDA POWER	ACU-POWER BOARD	X			d; h; l; p T.B. PDD2022_12
206	0CK034	673400900	DISPLAY 7"	DISPLAY 7"	X			a; b; c; e; f; g; i; j; k; m; n; o
207	0CK033	675401G00	SCHEDA ON/OFF	ON/OFF BOARD	X	X		
208	0CK036	675401J01	SCHEDA BRIDGE	BRIDGE BOARD	X			a; b; c; e; f; g; i; j; k; m; n; o
*	0CK674	675403M00	MICROSD HC 8GB CL4 SANDISK	MICROSD HC 8GB CL4 SANDISK				
209	0CK039	655400000	ALTOPARLANTE	SPEAKER		X		a; b; c; e; f; g; i; j; k; m; n; o
210	0TTMGT	0638404V01	CABLAGGIO USER INTERFACE	COMMUNICATION CABLE MD J2 1-5 TO ACU X27	X			
211a	0CK199	682400G00	VENTILATORE RAFFREDDAMENTO	COOLING FAN		X		
211b	0CK199	682400G00	VENTILATORE RAFFREDDAMENTO	COOLING FAN		X		Up to 2022/12
211c	0CK199	682400G00	VENTILATORE RAFFREDDAMENTO	COOLING FAN		X		i; j; k; l; m; n; o; p Up to 2022/12
212	0CK184	646400H00	TERMOSTATO SICUREZZA CELLA	CAVITY SAFETY THERMOSTAT	X			
213	0CK183	646400G00	TERMOSTATO SICUREZZA BOILER	BOILER SAFETY THERMOSTAT	X			Up to 2022/40
214	0CK643	675403K00	SMPS ALIM. SWITCHING 24V	SWITCHING FEEDER 24V	X			For appliances Up to 2020/42 order also pos. 215-215a
215	096342	648R11400	SMPS ALIM. SWITCHING 12V	SWITCHING FEEDER 12V	X			For appliances Up to 2020/42 order also pos. 214-215a
215a	0CK761	83040Q000	KIT RETROFIT PER SMPS	SMPS KIT RETROFIT SMPS				Up to 2020/42 + pos. 214/215
216	0CK030	546400U01	SUPPORTO USB	USB CAGE				
217	0CK259	694400M00	FILTRO TOROIDALE	TOROIDAL FILTER				
218	0CK168	657400201	SONDA LAMBDA	LAMBDA PROBE		X		
219	0CBAQH	835403X00	RELE' STATO SOLIDO 50A + PASTIGLIA TERMICA	SOLID STATE RELAY 50A + THERMAL PAD	X			a; b; c; d; e; f; g; h 380-400-415-440-460-480V

SKYLINE							
Pos	Spare part Code	Factory code	Descrizione	Description	V	W & T	S Ref./Notes
219	0CBAQI	835403Y00	RELE' STATO SOLIDO 90A + PASTIGLIA TERMICA	SOLID STATE RELAY 90A + THERMAL PAD	X		i; j; k; l; m; n; o; p - all a; b; c; d; e; f; g; h -220/230/240V
220	0CK208	646400C02	SONDA NTC DISSIPATORE CELLA	NTC PROBE HEAT SINK-CAVITY	X	X	
221	0CK145	640400300	MICRO INTERRUOTTORE	MICRO SWITCH		X	Up to 2022/12
224	0CK107	694400N00	FILTRO TRIFASE	3-PHASE FILTER		X	
224	0CK597	694401200	FILTRO TRIFASE	3-PHASE FILTER		X	Marine prod.
225	0CK424	675403H00	INVERTER	INVERTER	X		
225	0CK424	675403H00	INVERTER	INVERTER	X		208-480 V Up to 2022/12
225	0CK730	675403N00	INVERTER	INVERTER	X		208-480 V From 2022/13
226	0CK514	694401000	FILTRO EMC	EMC FILTER		X	Up to 2021/42
226	0CK514	694401000	FILTRO EMC	EMC FILTER		X	415-440 V always
226	0CK86F	694401800	FILTRO EMC	EMC FILTER		X	From 2021/43
227	088267	648722900	RELE'	RELAY	X	X	Up to 2021/16
227	0CK705	648401300	RELE'	RELAY	X	X	
227	0CK706	648401400	RELE'	RELAY	X	X	208V USA
228	0CK209	646400D01	SONDA NTC DISSIPATORE BOILER	NTC PROBE HEAT SINK-BOILER	X	X	
229	0L3360	63962B400	PORTAFUSIBILI (PEZZO SINGOLO) 4-HESI (5X20)	FUSEHOLDER (SINGLE PIECE) 4-HESI (5X20)	X	X	EU
229		652400H00	PORTAFUSIBILE PHOENIX PT 6-HESI (6,3X32)	FUSEHOLDER PHOENIX PT 6-HESI (6,3X32)	X	X	Marine prod.
230	0CK218	638404L00	MORSETTO PHOENIX PT6 (PEZZO SINGOLO)	PHOENIX CLAMP PT6 (SINGLE PIECE)	X	X	a; b; c; d; e; f; g; h 380-415-440V
230	0CK249	638404M00	MORSETTO PHOENIX PT16 (PEZZO SINGOLO)	PHOENIX CLAMP PT16 (SINGLE PIECE)	X	X	a; b; c; d; e; f; g; h; 220-240V i; j; k; l; m; n; o; p 220-240-380-415-440-460-480V
231	0CK231	648400W00	CONTATTORE K3-18ND 10	CONTACTOR K3-18ND 10	X	X	a; b; c; d; e; f; g; h; 380-415-440-460-480V
231	0CK291	648400Y00	CONTATTORE K3-40A00	CONTACTOR K3-40A00	X	X	a; b; c; d; e; f; g; h 208-220-240 V i; j; k; l; m; n; o; p 208-220-240-380-400-415-440-460-480 V
232	0CK501	639401X01	MORSETTIERA 35 mm2 3F+N+F	MAIN TERMINAL BLOCK 35 mm2 3F+N+F			a; b; c; d; e; f; g; h; 380-415V AUS
232	0CK598	639401Y01	MORSETTIERA 35 mm2 3F+F 230V	MAIN TERMINAL BLOCK 35 mm2 3F+F 230V			a; b; c; d; e; f; g; h; 220/240/380/400/415/440/469/480 V i; j; k; l; m; n; o; p 380/400/415/440/469/480 V
232	0CK599	639402101	MORSETTIERA 95 mm2 ABB DBL250 NORVEGIA	MAIN TERMINAL BLOCK 95 mm2 ABB DBL250 NORWAY			i; j; k; l; m; n; o; p 220-240V

SKYLINE							
Pos	Spare part Code	Factory code	Descrizione	Description	V	W & T	S Ref./Notes
233	0CK685	83040PL01	ASSIEME USER TOUCH	USER INTERFACE ASSEMBLY TOUCH	X		a; b; c; e; f; g; i; j; k; m; n; o
234	0CK079	830409604	ASSIEME USER DIGIT	USER INTERFACE ASSEMBLY DIGIT	X		d; h; l; p Up to 2021/42
234	0CK86G	830409605	ASSIEME USER DIGIT	USER INTERFACE ASSEMBLY DIGIT	X		d; h; l; p From 2021/43
235	0C5239	652806000	FUSIBILE 5X20 4A ST520240	FUSE 5X20 4A ST520240	X	X	
235	0L3435	0652608D00	FUSIBILE CERAMICO 5X20 250V 6.3 A T RITARDATO/OMEGA GT520263	DELAYED CERAMIC FUSE 5X20 250V 6.3 A T OMEGA GT520263	X	X	
235	0CC014	0652400J00	FUSIBILE T 4.0A 5X20 250V CERAMICO OMEGA GT520240 (WEBER 0121400)	CERAMIC FUSE 4.0A 5X20 250V OMEGA GT520240 (WEBER 0121400)	X	X	
235	0CK727	0652400L00	FUSIBILE T 6.3A 6.3X32 500V CERAMICO WEBER 0308205 (OMEGA GT632263)	CERAMIC FUSE 6.3A 6.3X32 500V WEBER 0308205 (OMEGA GT632263)	X	X	Marine prod.
236	0CK032	514405001	MOLLA SPORTELLINO	SPRING		X	
237	0CK038	638404F02	CAVETTO RECOVERY	RECOVERY CABLE		X	
238	0CK292	541401G04	MEMBRANA DIGIT EPR CON BOILER (PREMIUM)	EPR DIGIT MEMBRANE WITH BOILER (PREMIUM)		X	d; l
238	0CK301	541402603	MEMBRANA DIGIT EPR SENZA BOILER (PRO)	EPR DIGIT MEMBRANE WITHOUT BOILER (PRO)		X	h; p
238	0CK302	541401W03	MEMBRANA DIGIT ZANUSSI CON BOILER (COM-BI DS)	ZANUSSI DIGIT MEMBRANE WITH BOILER (COMBI DS)		X	d; l
238	0CK303	541402804	MEMBRANA DIGIT ZANUSSI SENZA BOILER (COMBI DI)	ZANUSSI DIGIT MEMBRANE WITHOUT BOILER (COMBI DI)		X	h; p
238	0CK333	541401X02	MEMBRANA DIGIT TO BRAND CON BOILER (GRIGIA/NERA)	TO BRAND DIGIT MEMBRANE WITH BOILER (GREY/BLACK)		X	d; l
238	0CK334	541402A02	MEMBRANA DIGIT TO BRAND SENZA BOILER (GRIGIA/NERA)	TO BRAND DIGIT MEMBRANE WITHOUT BOILER (GREY/BLACK)		X	h; p
238	*	541402U01	MEMBRANA DIGIT DIAMOND CON BOILER	DIAMOND DIGIT MEMBRANE WITH BOILER		X	d; l
238	*	541402T01	MEMBRANA DIGIT DIAMOND SENZA BOILER	DIAMOND DIGIT MEMBRANE WITHOUT BOILER		X	h; p
238	0CK9AK	541403G00	MEMBRANA DIGIT ENGEFOOD SENZA BOILER	ENGEFOOD DIGIT MEMBRANE WITHOUT BOILER		X	h; p;
239	0CK043	543401Q02	CRUSCOTTO PLASTICA DIGIT	PLASTIC FRAME DIGIT			d; h; l; p
240	0CK044	675401P02	SCHEDA USER DIGIT	DIGIT USER BOARD	X		d; h; l; p
241	0CK042	657400101	SCHEDA NIU	NIU BOARD			
242	0CK045	675401Q00	CAVETTO ON/OFF TOUCH	ON/OFF CABLE TOUCH		X	a; b; c; e; f; g; i; j; k; m; n; o
242	0CK329	675402K00	CAVETTO ON/OFF DIGIT	ON/OFF CABLE DIGIT		X	d; h; l; p
243	0CK254	646400A00	SONDA TEMPERATURA COMPONENTI	NTC COMPONENT TEMPERATURE PROBE	X	X	
244	0CK330	675401L00	CAVETTO CONNESSIONE SPEAKER	WIRING SPEAKER		X	a; b; c; e; f; g; i; j; k; m; n; o
245	0CK622	546401700	TASTO PER TASTIERA DIGIT 13X13 H11.4MM	LIGHTED PUSH-BUTTON 13X13 H11.4MM			d; h; l; p
246	0CK631	639401K00	MORSETTO RIPARTITORE ABB DBL250 1SNL325010R0000	CLAMP ABB DBL250 1SNL325010R0000			i; j; k; l; m; n; o; p 208V US/230V Norway 3 pcs
247	0CK625	648401100	CIRCUIT BREAKER AUTOMATICO TRIPO-LARE 63A SU203M	CIRCUIT BREAKER 63A SU203M			i; j; k; l; m; n; o; p 208V - 4; pcs
248	0CK668	546813700	TASTO PER TASTIERA DIGIT 21X21 H11.4MM	LIGHTED PUSH-BUTTON 21X21 H11.4MM			d; h; l; p

SKYLINE								
Pos	Spare part Code	Factory code	Descrizione	Description	V	W & T	S	Ref./Notes
300	0CK418	686400304	POMPA LAVAGGIO 220-240V 50/60HZ	CLEANING PUMP 220-240V 50/60HZ	X	X		Order KIT 0CBAN1
301	0C4202	516896000	CONTRODADO	NUT		X		Up to 2021/16
301a	0CK726	51440AW00	EXTENSION FOR ISG & CLEANING INLET	ESTENSIONE PER ISG		X		From 2021/17
302	0C4201	543841400	GUARNIZIONE IN RAME	COPPER GASKET		X		
302a	0CBAWL	506408Z00	RONDELLA PIANA D 21X31	WASHER D 21X31				
303	0CK512	83040KA00	ASS. ELETTROVALVOLA 2 VIE RM1200	WATER VALVE ASSEMBLY 2 WAYS RPE RM1200		X		d; e; f; g; l; m; n; o
304	0C5385	835872300	FASCETTA NORMACLAMP COBRA DN 16X8	CLAMP COBRA DN 16 X 8				
305	0CK513	83040K800	GRUPPO ELETTROVALVOLE RM1400	SOLENOID VALVES GROUP RM1400		X		c; e; f; g; k; m; n; o; a ENGEFOOD; h ENGEFOOD; i ENGEFOOD; p ENGEFOOD;
305	0CK565	83040K900	GRUPPO ELETTROVALVOLE RM1300	SOLENOID VALVES GROUP RM1300		X		a; b; d; h; i; j; l; p
306	0CK9AH	083040K600	FLUSSIMETRO	FLOW METER		X		
307	0CK503	80540B102	INGRESSO UMIDIFICATORE 20 1/1	HUMIDIFIER INLET 20 1/1				a; b; c; d; e; f; g; h Up to 2021/16
307	0CK566	80540BY01	INGRESSO UMIDIFICATORE 20 2/1	HUMIDIFIER INLET 20 2/1				i; j; k; l; m; n; o; p Up to 2021/16
309	0CK228	696400L01	ELETTROVALVOLA.	SOLENOID VALVE		X		
310	0CK221	544401G03	MANICOTTO MANDATA POMPA NBR	NBR PUMP EXIT MANIFOLD		X		EPDM KIT 0CK86E
311	0CK137	544401F03	MANICOTTO ASPIRAZIONE POMPA NBR	NBR PUMP INLET MANIFOLD		X		EPDM KIT 0CK86E
312	0CK559	83040KC00	ELETTROVALVOLA RM1100 ISG	RM1100 ISG SOLENOID VALVE		X		a; b; c; h; i; j; k; p
313	0CK087	541402F01	CILINDRO PASTIGLIE	CYLINDER FOR TABS		X		
314	0CK510	83040GP03	CONDUTT. CLEANING SYSTEM 20 1/1	CLEANING SYSTEM PIPING 20 1/1				a; b; c; d; e; f; g; h Up to 2021/16
314	0CK718	83040GP04	CONDUTT. CLEANING SYSTEM 20 1/1	CLEANING SYSTEM PIPING 20 1/1				a; b; c; d; e; f; g; h From 2021/17
314	0CK542	83040HX02	CONDUTT. CLEANING SYSTEM 20 2/1	CLEANING SYSTEM PIPING 20 2/1				i; j; k; l; m; n; o; p Up to 2021/16
314	0CK719	83040HX03	CONDUTT. CLEANING SYSTEM 20 2/1	CLEANING SYSTEM PIPING 20 2/1				i; j; k; l; m; n; o; p From 2021/17
315	0CK157	514F02U00	PORTAGOMMA	HOSE FITTING		X		
316	0C2312	549801800	VALVOLA DI NON RITORNO	NON-RETURN VALVE				
317	0CK646	083040KU00	ASS. RACCORDO 3/4" INGRESSO ACQUA	WATER INLET FITTING				
323	0CB250	689400000	VALVOLA SCARICO BOILER	BOILER DRAIN VALVE		X	X	
323	0CB251	689400500	VALVOLA SCARICO BOILER	BOILER DRAIN VALVE		X	X	USA
324	0CK609	80540FD03	PANNELLO FACCIATA INFERIORE	FRONT LOWER PANEL				Up to 2022/12
324	0CK88T	80540FD04	PANNELLO FACCIATA INFERIORE	FRONT LOWER PANEL				From 2022/13
325	0CK657	544403H00	MANICOTTO A GOMITO SCARICO CELLA NBR	NBR MANIFOLD		X		EPDM KIT 0CK86E
326	0CK509	83040FL03	ASSIEME CAMINO ABBATTITORE	STEAM EXHAUST PIPE				
327	0CK670		CONDENSATORE 5 MF	CAPACITOR 5 MF				
329	0CK193	689400700	VALVOLA MOTORIZZATA 1"	MOTORIZED BALL VALVE 1"		X	X	
330	0CK138	544401V02	MANICOTTO COLLEGAMENTO CAMINO	RUBBER MANIFOLD			X	
331	0CK518	835405J04	DOCCESTA	WATER SPRAY GUN				Up to 2022/12
331	0CK86R	835405J05	DOCCESTA	WATER SPRAY GUN				From 2022/13
332	0CK096	514405A00	DADO CIECO 1"G	NUT 1"			X	

SKYLINE								
Pos	Spare part Code	Factory code	Descrizione	Description	V	W & T	S	Ref./Notes
333	0CK88U	83040Q600	ASS. COLLETTORE SCARICO AIR-BREAK	AIRBREAK DRAIN ASSEMBLY	X	X		
335	0CK162	518400Y00	RONDELLA OTTONE (34X42X2.5)	BRASS WASHER (34X42X2.5)		X		
336	0CK170	83040C000	SONDA TEMP. ABBATTITORE FUMANE	STEAM QUENCHING TEMP. PROBE	X	X		
*	0CK858		KIT SONDA TEMP. ABBATTITORE FUMANE	STEAM QUENCHING TEMP. PROBE KIT				
337	0CK106	502404000	FILTRO SUPPORTO DETERGENTE	DETERGENT HOLDER FILTER				
338	0CK206	544402Z00	TUBO SILICONE	SILICON HOSE		X		
339	046855	518602801	FASCETTA	CLAMP		X		
340	0CK169	653400B00	SONDA NTC SICUREZZA	SAFETY NTC PROBE	X	X		
341	0CK304	0835405Q00	ASSIEME FASCETTA FBS HC 24/12	SPRING CLAMP FBS HC 24/12 ASSEMBLY		X		
342	0CK191	544402Y00	TUBO SCARICO BOILER	BOILER DRAIN HOSE		X		
344	0C5829	544819400	TUBO EPDM BLU	EPDM BLUE HOSE		X		
345	0CK192	544401Y00	TUBO SILICONE RETINATO	SILICONE HOSE REINFORCED		X		
346	0CK046	544403300	TUBO NBR TELATO	NBR HOSE BLACK		X		
347	0CK083	514404Y01	BICONO TENUTA TERMOCOPPIA	THERMOCOUPLE BICONICAL SEA-LING		X		Up to 2022/12
349	0L3736	640613Q00	SENSORE REED CASSETTO PASTI-GLIE	TABS DRAWER REED SENSOR				
352	0CK177	514406W01	SUPPORTO PASTIGLIE	TABS HOLDER				Up to 2020/42 Order 352a + 354a
352a	0CK655	542400D00	SUPPORTO PASTIGLIE	TABS HOLDER				From 2020/43
353	0CK246	514406V01	MOLLA TAPPO	CUP SPRING		X		
354	0CK125	543402S01	GUARNIZIONE TAPPO	CUP GASKET		X		Up to 2020/42 Order 352a + 354a
354a	0CK656	543403W01	GUARNIZIONE TAPPO	CUP GASKET		X		From 2020/43
355	0CK180	541402M00	TAPPO MOBILE	MOBILE CUP		X		Up to 2020/42 Order 352a + 354a
356	0CK179	541402D00	TAPPO FISSO	FIX CUP		X		Up to 2020/42
356a	0CK645	80540GG00	TAPPO FISSO	FIX CUP		X		From 2020/43
357	0CK322	80540DK01	ASSIEME TAPPO SERBATOIO CHIMICA	CUP TANK ASSEMBLY		X		Up to 2020/42
357a	0CK322	80540DK04	ASSIEME TAPPO SERBATOIO CHIMICA	CUP TANK ASSEMBLY		X		From 2020/43
358	0PE481	511T00300	MANOPOLA ZIGRINATA	KNURLED SCREW		X		
358a	0CK671	051440A901	PERNO	PIN				
358b	0CK672	0514404V03	BOCCOLA	BUSH				
359	0CK669	001541900	RONDELLA INOX (5X15X1,5)	INOX WASHER (5X15X1,5)				
360	0CK100	835405P00	FASCETTA A MOLLA FBS HC 38/12	SPRING CLAMP FBS HC 38/12		X		
361	0CK710	546401N00	RACCORDO A Y PORTAGOMMA PG10 IN PA6 COD. 5060TR10	THREE WAYS FITTING				From 2021/17 Up to 2022/12
361	0CK88S	546401N01	RACCORDO A Y PORTAGOMMA ELDON JAMES 3/8	THREE WAYS FITTING				From 2022/13
362	0S1279	0PP313.00.00	SEGER PER MINIREEL (PER FORO d. 28)	SEEGER diam. 28 mm		X		From 2022/13
363	0CBAJ9	P666	O-RINGS KIT	O-RINGS KIT		X		From 2022/13
364	0PRRXM	080540H300	TUBO FLESSIBILE GOMMA EPDM	HOSE WITH O-RINGS AND COUPLINGS		X		d.6x12mm, length 2 mt
365	0CK430	0R.P470	MOLLA SAGOMATA	SPRING		X		
366	0L0673	0PP243.00.00	TESTA DOCCIA	SPRAY VALVE		X		Up to 2022/12
366	0CBAJ8	80540H200	TESTA DOCCIA	SPRAY VALVE		X		From 2022/13
367	0L0674	80540H100	ASSIEME RACCORDO PINTOSSI 90°	90° FITTING ASSEMBLY				From 2022/13
370	0CK499	800402W02	COLLETTORE SCARICO CELLA	CAVITY DRAIN COLLECTOR				a;b;c;d;e;f;g;h
370	0CK567	800403B02	COLLETTORE SCARICO CELLA	CAVITY DRAIN COLLECTOR				i; j; k; l; m; n; o; p
371	0CK679	0544403A01	TUBO NBR TELATO D25x35	HOSE D25x35				a;b;c;d;e;f;g;h
371		0544403B01	TUBO NBR TELATO D25x35	HOSE D25x35				i; j; k; l; m; n; o; p
372	0PRRXN	080540J000	ASS. TUBO INGRESSO	INLET HOSE ASSEMBLY				From 2022/13
374	0CK046	0544403300	TUBO ESTRUSO NBR 10X17	NBR HOSE 10X17				

SKYLINE							
Pos	Spare part Code	Factory code	Descrizione	Description	V	W & T	S Ref./Notes
400	0CK507	83040MM01	BOILER 20 1/1	BOILER 20 1/1	X		d; e; f; g
400a	0CK550	83040MN01	BOILER 20 2/1	BOILER 20 2/1	X		l; m; n; o
401	007033	830890501	SONDA LIVELLO ACQUA	WATER LEVEL SENSOR	X	X	
402	0CK147	514406Q00	MOLLA	SPRING		X	
403	0C5834	543844800	GUARNIZIONE RESISTENZA BOILER	BOILER HEATING ELEMENT GASKET	X	X	
404	0CK401	617402B01	RESIST. BOILER 208V 18000W	BOILER HEATING ELEM. 208V 18000W	X		200-208V Order KIT 0CBAMV
404	0CK024	617402C01	RESIST. BOILER 240V 19600W	BOILER HEATING ELEM. 240V 19600W	X		240V Order KIT 0CBAMQ
404	0CK215	617402D02	RESIST. BOILER 415V 19375W	BOILER HEATING ELEM. 415V 19375W	X		380-415V Order KIT 0CBAMS
404	0CK613	617402F01	RESIST. BOILER 440V 18847W	BOILER HEATING ELEM. 240V 18847W	X		415-440V Order KIT 0CBAMY
404	0CK402	617402G01	RESIST. BOILER 480V 18000W	BOILER HEATING ELEM. 480V 18000W	X		460-480V Order KIT 0CBAMW
405	0CK188	515404902	TUBO INGRESSO ARIA	AIR INLET PIPE			
406	0CK270	83040BY01	SENSORE DI TEMPERATURA BOILER	BOILER TEMPERATURE SENSOR	X	X	
407	0CK006	805409304	ASSIEME VALVOLA ARIA	AIR INLET VALVE	X	X	Order KIT 0CBAKO
407a	0CK642	543402R01	GUARNIZIONE VALVOLA ARIA	AIR INLET VALVE GASKET			
408	0CK072	569400Q00	KIT TENUTA ALBERO MOTORE	MOTOR SHAFT SEALING KIT		X	
409	0CK871	541403900	TEGOLO PARAGOCCE	DRIP PROTECTION			
410	0CK200	504409J00	VENTOLA GN 1/1	FAN GN1/1			a; b; c; d; e; f; g; h
410	0CK201	504409K00	VENTOLA GN 2/1	FAN GN 2/1			i; j; k; l; m; n; o; p
411	0CK213	617401Y02	RESISTENZA CELLA 400V 20 1/1	CAVITY HEATING ELEM. 400V 20 1/1	X		a; b; c; d; e; f; g; h; 400V Order KIT 0CBAMA
411	0CK586	617403N00	RESISTENZA CELLA 415V 20 2/1	CAVITY HEATING ELEM. 415V 20 2/1	X		i; j; k; l; m; n; o; p; 415V Order KIT 0CBAMJ
411	0CK021	617401X01	RESISTENZA CELLA 240V 20 1/1	CAVITY HEATING ELEM. 240V 20 1/1	X		a; b; c; d; e; f; g; h; 240V Order KIT 0CBAL5
411	0CK587	617403M00	RESISTENZA CELLA 240V 20 2/1	CAVITY HEATING ELEM. 240V 20 2/1	X		i; j; k; l; m; n; o; p; 240V Order KIT 0CBAMK
411	0CK590	617401Z01	RESISTENZA CELLA 440V 20 1/1	CAVITY HEATING ELEM. 440V 20 1/1	X		a; b; c; d; e; f; g; h; 440V - AUS Order KIT 0CBAMM
411	0CC015	617403P00	RESISTENZA CELLA 440V 20 2/1	CAVITY HEATING ELEM. 440V 20 2/1	X		i; j; k; l; m; n; o; p; ; 440V - AUS Order KIT 0CBAL2
412	0CK216	514404Z02	PERNO SUPPORTO MOTORE	MOTOR PIN SUPPORT			
413	0CK150	611400C02	MOTORE FIR 750W	FIR MOTOR 750W	X		i; j; k; l; m; n; o; p Order KIT 0CBAMZ

SKYLINE							
Pos	Spare part Code	Factory code	Descrizione	Description	V	W & T	S Ref./Notes
413	0CK422	611400B03	MOTORE FIR 450W	FIR MOTOR 450W	X		a; b; c; d; e; f; g; h Order KIT OCBANO
414	0CBAWR	0646400L00	KLIXON	BOILER SAFETY THERMOSTAT			From 2022/41
414a	0CBAWQ	0638407C00	CABLAGGIO TERMOSTATO BOILER	BOILER SAFETY THERMOSTAT WIRING			From 2022/41
415	0CK189	544401B01	TUBO INGRESSO VAPORE	STEAM INLET HOSE	X	X	a; b; c; d; e; f; g; h
415	0CK568	544403201	TUBO INGRESSO VAPORE	STEAM INLET HOSE	X	X	i; j; k; l; m; n; o; p
416	0CK309	217016205	VITE TENUTA VENTOLA	FAN SCREW		X	
417	0CK310	206300900	RONDELLA	WASHER		X	
418	0CK506	560401X02	ISOLANTE BOILER 20 1/1	BOILER INSULATION 20 1/1		X	d; e; f; g
418	0CK588	560401Z02	ISOLANTE BOILER 20 2/1	BOILER INSULATION 20 2/1		X	l; m; n; o
419	006451	147018082	NASTRO ADESIVO ALLUMINATO	ALLUMINIUM ADHESIVE TAPE		X	
420	0CK118	569401000	GUARNIZIONE RESISTENZA	HEATING ELEMENT GASKET	X	X	
421	0CK626	9F92273800	KIT SCARICO ACCIAIO	STEEL PIPES			
422	0CK623	9F92273900	KIT SCARICO PLASTICA	PLASTIC PIPES			
429	0CK403	624400P01	TRASFORMATORE TOROIDALE 550VA	TRANSFORMER 550 VA			a; b; c; e; f; g; h; i; j k; m; n; o; p; - AUS
429	0CK403	624400P01	TRASFORMATORE TOROIDALE 550VA	TRANSFORMER 550 VA			a; b; c; e; f; g; i; j; k m; n; o; - 208V
430	0CK404	624400Q01	TRASFORMATORE TOROIDALE 1450VA	TRANSFORMER 1450 VA			d; e; f; g; l; m; n; o - MARINE 400-440 V
430	0CK404	624400Q01	TRASFORMATORE TOROIDALE 1450VA	TRANSFORMER 1450 VA			a; b; c; e; f; g; i; j; k; m; n; o; - 480 V

SKYLINE

Pos	Spare part Code	Factory code	Descrizione	Description	V	W & T	S	Ref./Notes
501	0CA768	509804003	BACINELLA RACCOLTA	TRAY COLLECTOR				a; b; c; d; e; f; g; h
501	0CK605	509804100	BACINELLA	TRAY				a; b; c; d; e; f; g; h BAKERY
502	006309	H21503300	ASSIEME PILETTA DI SCARICO	DRAIN ASSEMBLY				
503	0C1631	835865000	RUOTA CON FRENO	WHEEL WITH BRAKE				
504	0C1632	835865101	RUOTA SENZA FRENO	WHEEL WITHOUT BRAKE				a; b; c; d; e; f; g; h
504	0C9873	0835401S00	RUOTA SENZA FRENO	WHEEL WITHOUT BRAKE				i; j; k; l; m; n; o; p
505	0CA362	546814400	TAPPO PER TUBO	CUP				
506	007108	517868203	MANIGLIA	HANDLE				
507	0CK543	50340AL00	ADATTATORE SINISTRO 20 1/1	LEFT ADAPTOR 20 1/1				
508	0CK544	50340AK00	ADATTATORE DESTRO 20 1/1	RIGHT ADAPTOR 20 1/1				
509	0C9889	516859102	FERMO TEGLIE POSTERIORE	BACK TRAY STOPPER				

SKYLINE – KIT DI MANUTENZIONE – MAINTENANCE KIT

Pos	Spare Part Code KIT	Description KIT	Spare Part Code	Spare part q.ty	Spare part Description	Ref./Note	Time/Cycles (hours)	Every (months)
PPM1	0CK895	20 GRIDS GN 1/1; PPM KIT	0CK497	1	DOOR GASKET 20 1/1	a; b; c; d; e; f; g; h	3200	12
			0CK494	1	AIR FILTER			
PPM2	0CK896	20 GRIDS GN 2/1; PPM KIT	0CK548	1	DOOR GASKET 20 2/1	i; j; k; l; m; n; o; p	3200	12
			0CK494	1	AIR FILTER			
PPM3	0CK763	SKL OV PM KIT 21	0CK494	1	AIR FILTER	a; b; c; d; e; f; g; h; i; j; k; l; m; n; o; p	3200	12
			0CK523	1	BUSHING		6400	24
			0CK497	1	DOOR GASKET 20 1/1		12800	48
PPM4	0CK770	SKL OV PM KIT 22	0CK494	1	AIR FILTER	a; b; c; d; e; f; g; h; i; j; k; l; m; n; o; p	3200	12
			0CK523	1	BUSHING		6400	24
			0CK548	1	DOOR GASKET 20 2/1		12800	48
PPM5	0CK781	SKL OV PM KIT 33	0CK494	1	AIR FILTER	a; b; c; d; e; f; g; h; i; j; k; l; m; n; o; p	9600	36
			0CK523	1	BUSHING			
			0CK087	1	CYLINDER FOR TABS			
			0CK322	1	CUP TANK ASSEMBLY			
PPM6	0CK782	SKL OV PM KIT 34	0CK494	1	AIR FILTER	a; b; c; d; e; f; g; h; i; j; k; l; m; n; o; p	9600	36
			0CK523	1	BUSHING			
			0CK087	1	CYLINDER FOR TABS			
			0CK322	1	CUP TANK ASSEMBLY			
PPM7	0CK783	SKL OV PM KIT 35	0CK494	1	AIR FILTER	a; b; c; d; e; f; g; h; i; j; k; l; m; n; o; p	16000	60
			0CK523	1	BUSHING			
			0CK418	1	CLEANING PUMP 220-240V 50/60HZ			
			0CB250	1	BOILER DRAIN VALVE			
PPM8	0CK784	SKL OV PM KIT 36	0CK494	1	AIR FILTER	a; b; c; d; e; f; g; h; i; j; k; l; m; n; o; p	16000	60
			0CK523	1	BUSHING			
			0CK418	1	CLEANING PUMP 220-240V 50/60HZ			
			0CB250	1	BOILER DRAIN VALVE			
PPM9	0CK787	SKL OV PM KIT 39	0CK494	1	AIR FILTER	a; b; c; d; e; f; g; h; i; j; k; l; m; n; o; p USA	16000	60
			0CK523	1	BUSHING			
			0CK418	1	CLEANING PUMP 220-240V 50/60HZ			
			0CB251	1	BOILER DRAIN VALVE			
PPM10	0CK788	SKL OV PM KIT 40	0CK494	1	AIR FILTER	a; b; c; d; e; f; g; h; i; j; k; l; m; n; o; p USA	16000	60
			0CK523	1	BUSHING			
			0CK418	1	CLEANING PUMP 220-240V 50/60HZ			
			0CB251	1	BOILER DRAIN VALVE			
			0CK548	1	DOOR GASKET 20 2/1			

Electrolux Professional SpA
Viale Treviso, 15
33170 Pordenone, ITALY
Fax (+39) 0434 380 201
<https://www.electroluxprofessional.com>
<https://webgate.electroluxprofessional.com>